



Vigilant

HANDCRAFTED HUMIDORS

DESKTOPS | WALLS | TABLES | ARMOIRES | DISPLAYS | VAULTS | LOCKERS | SYSTEMS



Vigilant Humidors

— FOR THE ULTIMATE AFICIONADO

You love cigars. You invest in cigars. You'll love our humidors.

Vigilant humidors provide superior cigar protection in the finest quality cabinetry. Our product portfolio offers a blend of the finest hardwoods, state-of-the-art technology, and uncompromising craftsmanship.

While all our cabinets are beautiful to look at, the greatest comfort comes in knowing that you'll find your cigars in perfect condition every time you open the door.

CONTENTS

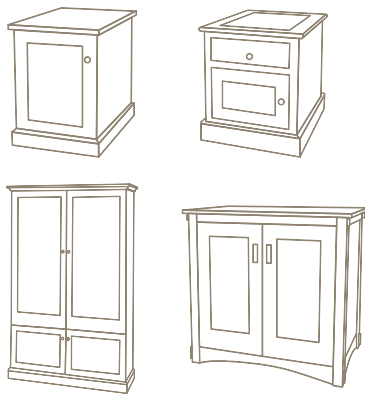
How To Buy	2
Desktop	3
Wall Humidors	4
End Tables.....	6
Armoires.....	8
Display Cabinets.....	9
Vaults.....	10
Custom Built-ins	11
Lockers.....	12
Humidification Systems	13
Product Guide & Specifications	14
Gallery.....	15
Vigilant Process.....	18
Testimonials	19
Contact Us.....	20



STEP 1

CHOOSE YOUR CABINET, STYLE & SIZE

TRADITIONAL OR CONTEMPORARY



STEP 2

CHOOSE YOUR COLOR



Custom



Harvest



Chestnut



Espresso



Ebony

STEP 3

CHOOSE YOUR HUMIDIFICATION SYSTEM

SENTRY, GUARDIAN, OR CLIMATECH (SELECT MODELS)



SENTRY



GUARDIAN

STEP 4

CHOOSE OPTIONAL FEATURES

- INTERIOR LIGHTING
- GLASS OR WOOD DOOR/TOP
- CLEAR OR FROSTED GLASS
- ETCHING OR ENGRAVING
- ADJUSTABLE BIN UNIT(S)

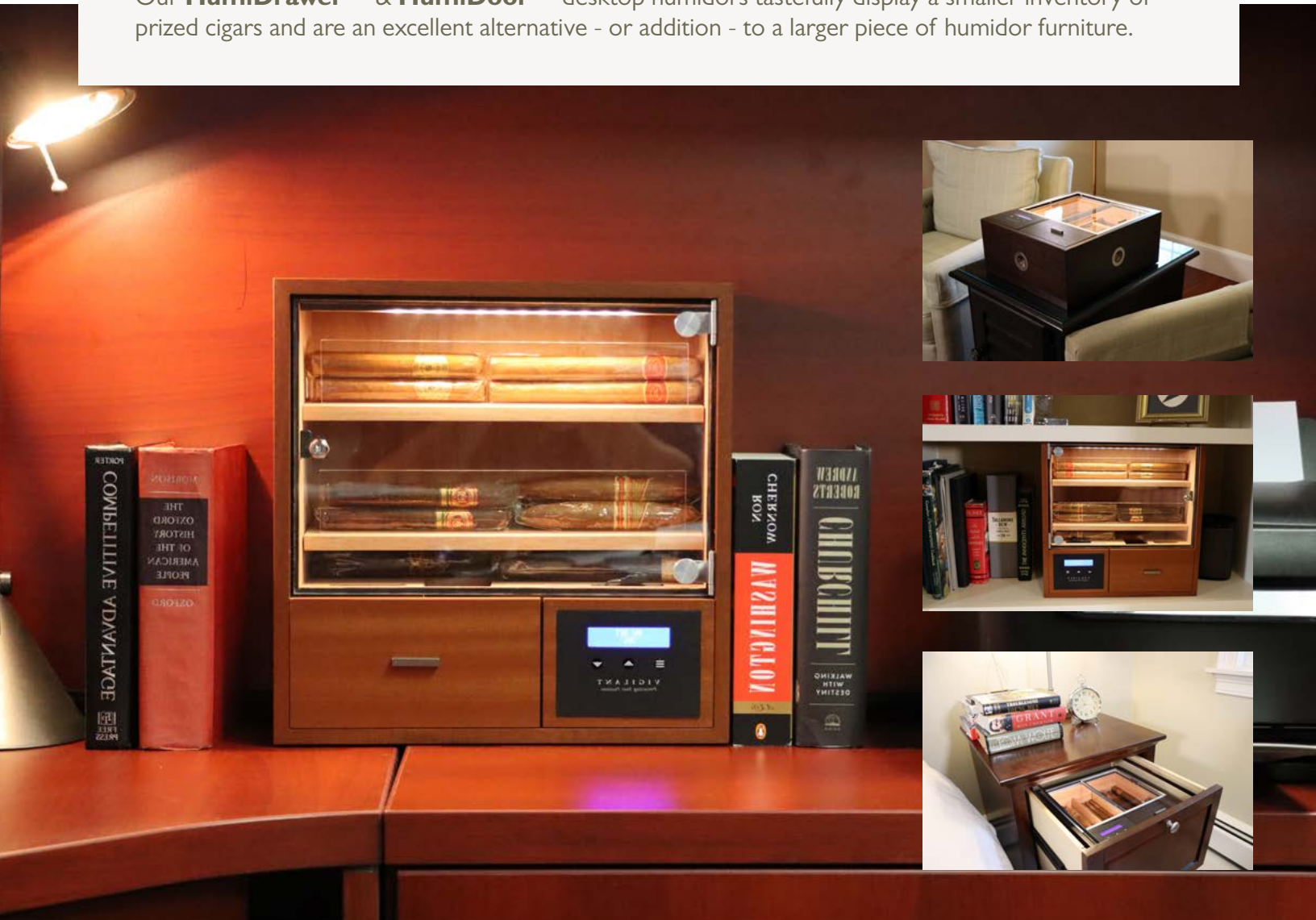
STEP 5

OR COMPLETELY CUSTOMIZE YOUR HUMIDOR



Desktop Humidors

Our **HumiDrawer™** & **HumiDoor™** desktop humidors tastefully display a smaller inventory of prized cigars and are an excellent alternative - or addition - to a larger piece of humidor furniture.



HumiDoor™ 75



HumiDrawer™ 125



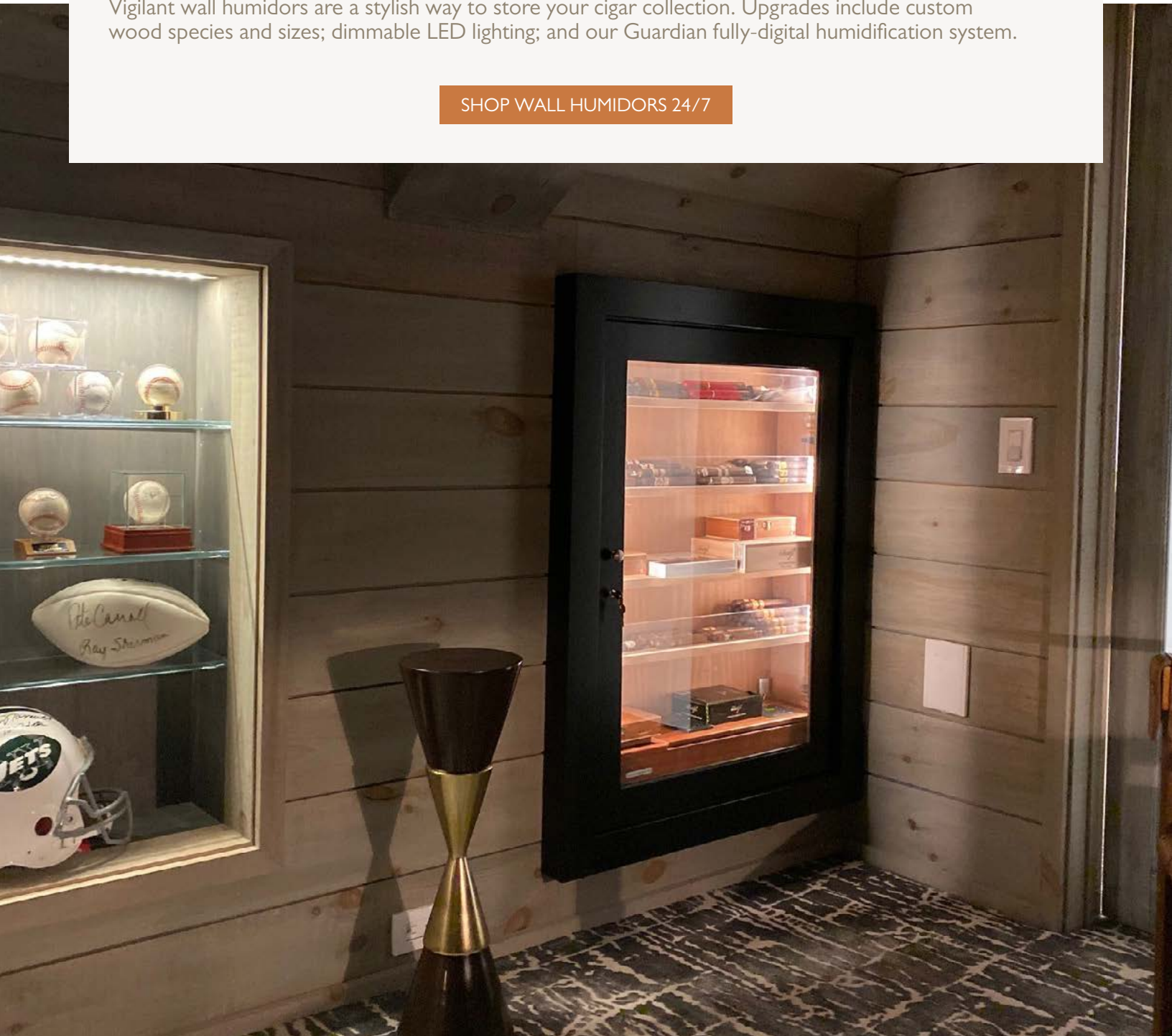
Visit our online shop for pricing for this series along with gallery images that will inspire!

[Shop Online](#)

Wall Humidors

Vigilant wall humidors are a stylish way to store your cigar collection. Upgrades include custom wood species and sizes; dimmable LED lighting; and our Guardian fully-digital humidification system.

SHOP WALL HUMIDORS 24/7



Reliance 350/450



Shown in Espresso finish

Reliance 550/750



Shown in Chestnut finish

Large Capacity!

Our Reliance 350, 450, 550, and 750 mahogany in-wall models fit within two 16" stud bays, and feature our Sentry analog humidification system standard, adjustable Spanish cedar shelving, and a choice of finish, hardware, and frame style.

Sentinel 250 On-Wall Option



Shown in Harvest finish

Reliance Slim Series



Shown in Espresso finish

Budget Friendly!

Our only on-wall option, the Sentinel 250 wall-mounted unit is a cost-effective choice that easily attaches to any wall using durable z-clips.

Easy Install!

Fitting easily between two studs with capacities of 250 or 300 cigars and comes standard with our digital Guardian system. Minimal drywall or carpentry needed!

Sentinel Series

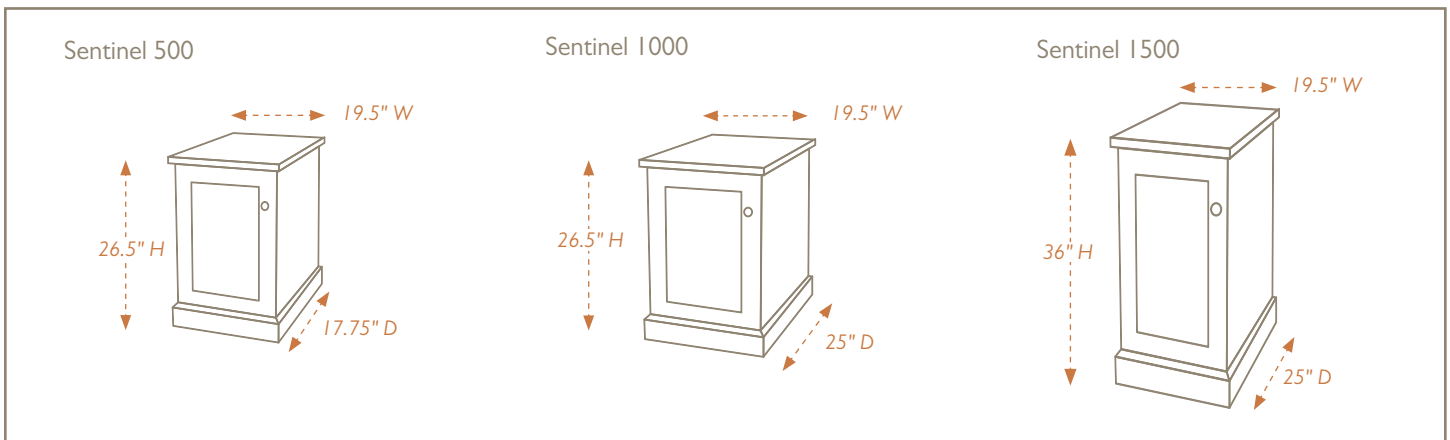
The Sentinel Series, is the best value in an end table cigar humidior. The Sentinel offers quality mahogany cabinetry and built-in flawless electronic cigar protection. Choose colors, styles, and a humidity system to fit your needs.



TRADITIONAL



CONTEMPORARY



See more standard and custom humidors in our gallery.

Reliance Series

Reliance cabinets offer the ultimate combination of superior materials, the finest cabinet joinery, and cutting-edge built-in technology. The Reliance line also allows you to add temperature control capability in addition to humidity control, affording yet another level of cigar protection. The mahogany cabinet features an exterior cigar drawer and your choice of colors and styles.



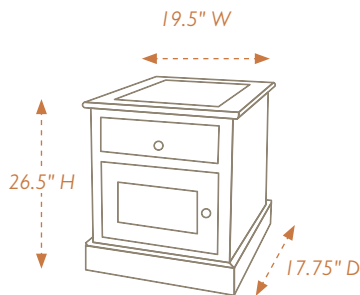
TRADITIONAL



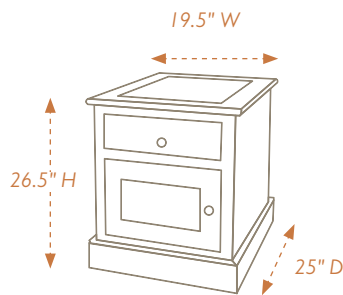
CONTEMPORARY



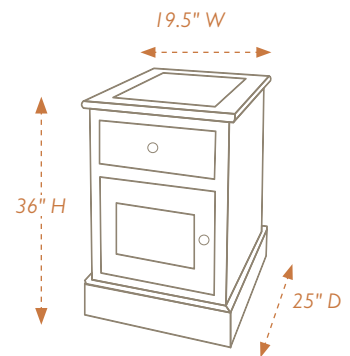
Reliance 500



Reliance 1000



Reliance 1500



See more standard and custom humidors in our gallery.

Armoires

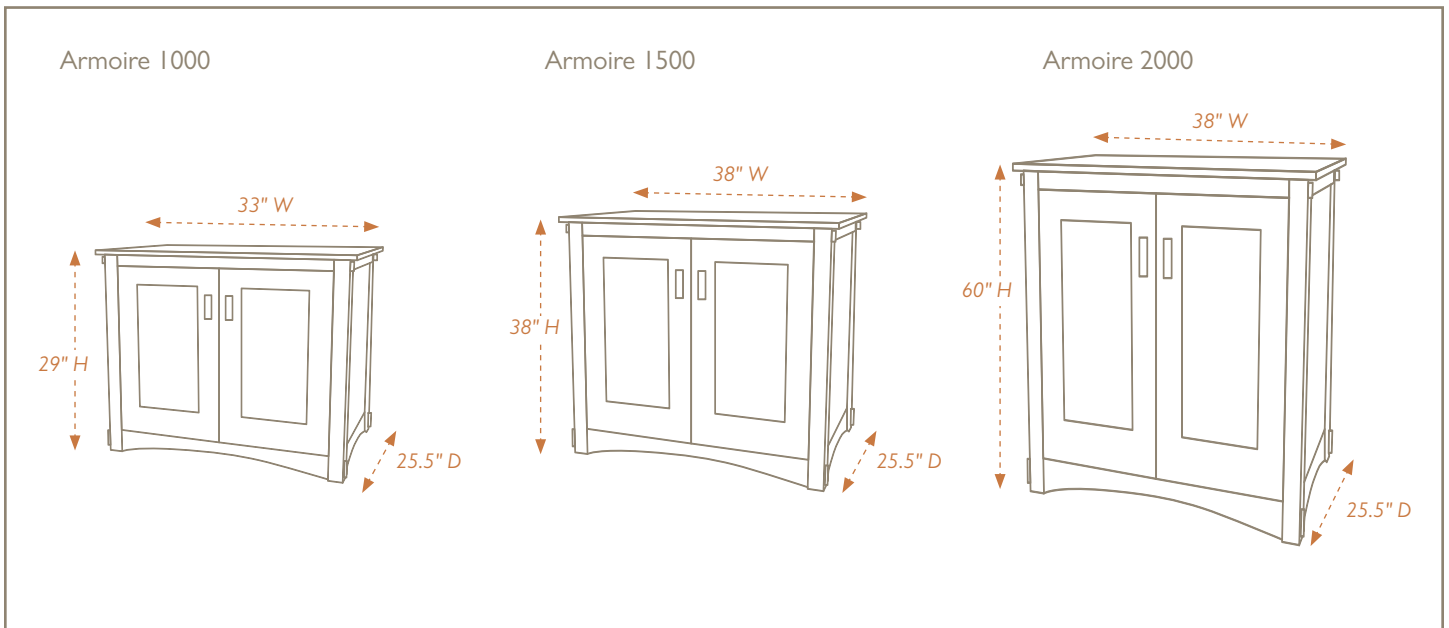
Our heirloom-quality armoire cabinets are perfect for cigar enthusiasts looking for ample storage and peace of mind. These armoire cabinets also allow you to add built-in temperature control for extra protection and an interior drawer will accommodate your loose cigars. The largest armoire holds up to 2,000 cigars and all three cabinet sizes are available in multiple colors, woods and styles.



TRADITIONAL



CONTEMPORARY



See more standard and custom humidors in our gallery.

Display Cabinets

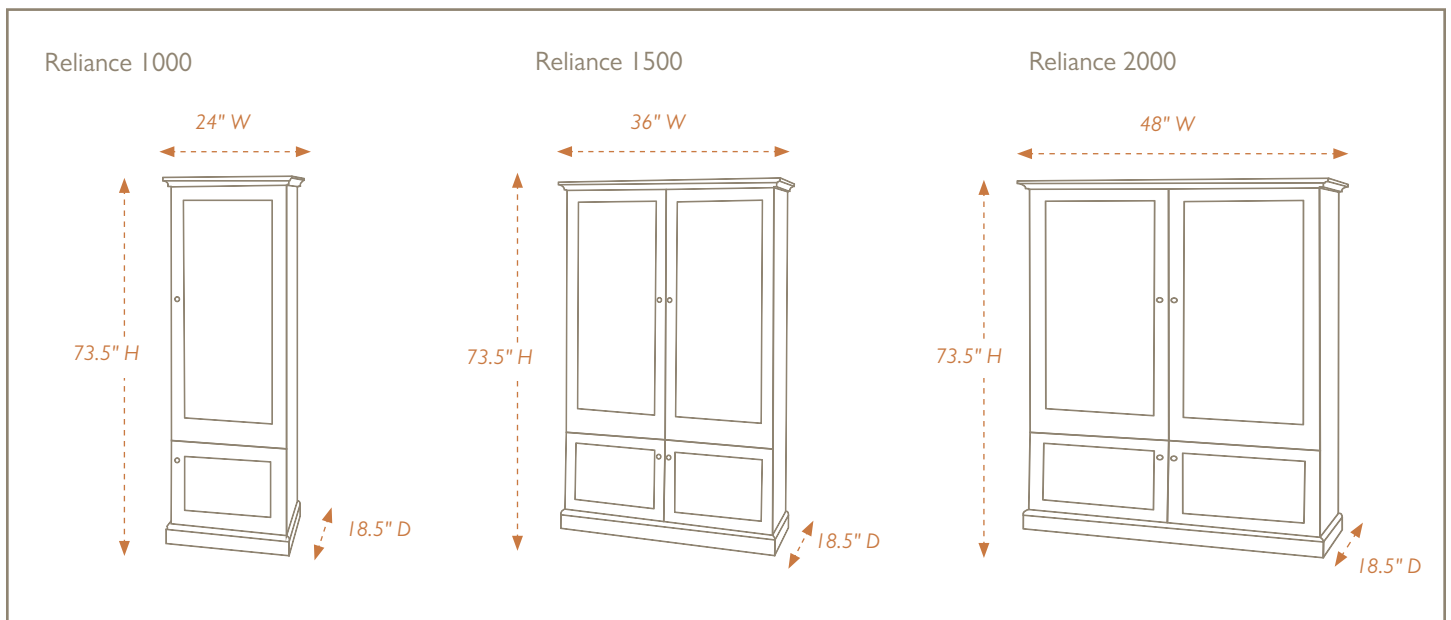
Our Reliance display cabinets are handcrafted of mahogany and are the perfect solution for large collections and commercial presentation. All cabinets feature a furniture quality finish, offer double locks for security, and a choice of temperature and humidification systems. Display cabinets are available in a variety of styles and colors. Other optional features include interior light, adjustable cigar bins and frosted glass doors.



TRADITIONAL



CONTEMPORARY

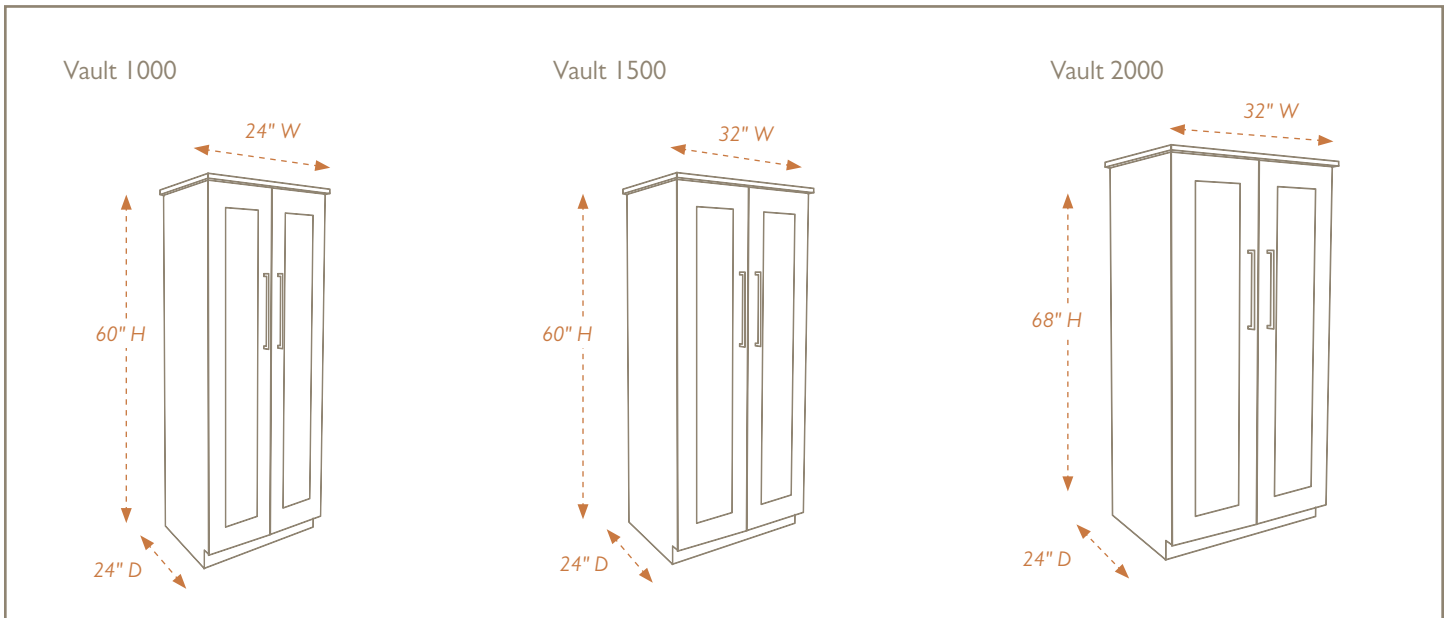


*For proper ventilation, a 4" standout from back wall is required for any cabinet with a Climatech temperature system

See more standard and custom humidors in our gallery.

Vaults

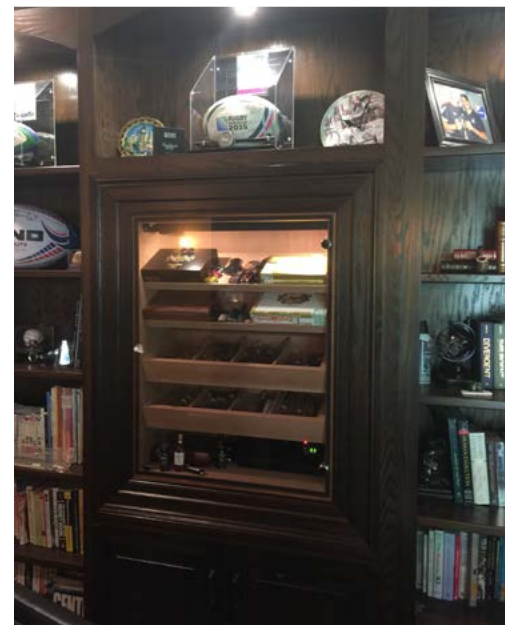
Vigilant cigar vaults offer the best value for your bulk cigar storage. With your choice of electronic humidification systems, and a two-point locking system, you're guaranteed a protected and preserved cigar collection for many years to come. Optional product upgrades include a choice of two wood framed glass door styles, full wood framed glass doors or wood framed glass doors with mid-rail, LED lighting and bins.



See more standard and custom humidors in our gallery.

Custom Built-ins

Let us design a built-in cigar humidor for your existing cabinet or wall nook. If you have a space in mind for your humidor, we can design and build it for you. We work with multiple wood species and finishes to match your needs and will advise you on the best cigar protection system to guarantee the perfect condition of your cigars.



Cigar Lockers

As the leader in cigar storage cabinetry and electronic humidification, Vigilant offers a full line of modular freestanding and built-in cigar locker cabinets manufactured to your exact specifications.

Standard or "as you wish"

The most affordable option for safe, carefree cigar storage for multiple users is a standard cigar locker. Choose flat or recessed panel door fronts in glass or frosted glass in a bank of 10, 15, or 20 lockers per cabinet.

Our lockers can also be customized to match your decor. Choose drawers instead of doors, add lighting, custom wood, finish, and hardware, base or crown molding, and more...the sky's the limit!

Return on investment

Our clients structure their cigar locker programs to recognize an ROI in as little as 12-18 months. Check out our online photo galleries to get inspired.

Your members and patrons will thank you!



Create Your Own Masterpiece

Vigilant's versatile humidification systems outperform all other systems on the market. With ample reservoirs for long-term worry-free cigar protection, they are accurate, reliable and easy-to-operate.

Our state-of-the-art technology is ideal for the do-it-yourselfer who wants to turn any cabinet into an electronic humididor. Simply plug the units into an outlet, add water, and set the dial to your desired humidity level. Optional remote control and sensor wires allow for ultimate customization.



SENTRY SYSTEM

- Independent digital hygrometer
- Analog humidity adjustment
- Electronic time-to-fill indicator

GUARDIAN SYSTEM

- Integrated electronic sensor & display
- Push-button, digital humidity control
- Electronic time-to-fill indicator

**Sentry 10 and Guardian 10 systems pictured above.*

System	Dimensions	Humidity Control	Capacity	Accuracy	Price
Sentry 10	4.188" w x 4.625" h x 13.25" d	10 cubic feet	1.75 quart	+/- 5%	Get Pricing
Sentry 100	8.5" w x 8.375" h x 15.5" l	100 cubic feet	1.75 gallon	+/- 5%	
Guardian 10	4.188" w x 4.625" h x 13.25" d	10 cubic feet	1.75 quart	+/- 2%	
Guardian 100	8.5" w x 8.375" h x 15.5" l	100 cubic feet	1.75 gallon	+/- 2%	
Guardian 150	8.5" w x 8.375" h x 15.5" l	100 cubic feet	1.75 gallon	+/- 2%	

product guide | specifications, pricing & more

	Product	Dimensions	Weight	Cigar Capacity	Price
END TABLES	Sentinel 500	19.5"w x 26.5"h x 17.75"d	80 lbs	480	Get Pricing
	Sentinel 1000	19.5"w x 26.5"h x 25"d	88 lbs	850	
	Sentinel 1500	19.5"w x 36"h x 25"d	92 lbs	1350	
	Reliance 500	19.5"w x 26.5"h x 17.75"d	85 lbs	480 / 160 loose	
	Reliance 1000	19.5"w x 26.5"h x 25"d	90 lbs	850 / 200 loose	
	Reliance 1500	19.5"w x 36"h x 25"d	120 lbs	850 / 200 loose	

Options include glass or wood top and/or door

ARMOIRES	1000	33"w x 29"h x 25.5"d	225 lbs	1000	Get Pricing
	1500	38"w x 38"h x 25.5"d	265 lbs	1500	
	2000	38"w x 60"h x 25.5"d	345 lbs	2000	

Options include glass or wood doors and additional interior drawer

DISPLAYS	Reliance 1000	24"w x 73.5"h x 18.5"d	210 lbs	1000	Get Pricing
	Reliance 1500	36"w x 73.5"h x 18.5"d	245 lbs	1500	
	Reliance 2000	48"w x 73.5"h x 18.5"d	285 lbs	2000	

Options include loose cigar bins and lighting

VAULTS	1000	24"w x 60"h x 24"d	210 lbs	1000	Get Pricing
	1500	32"w x 60"h x 24"d	245 lbs	1500	
	2000	32"w x 68"h x 24"d	245 lbs	2000	

Options include glass or wood doors and bins

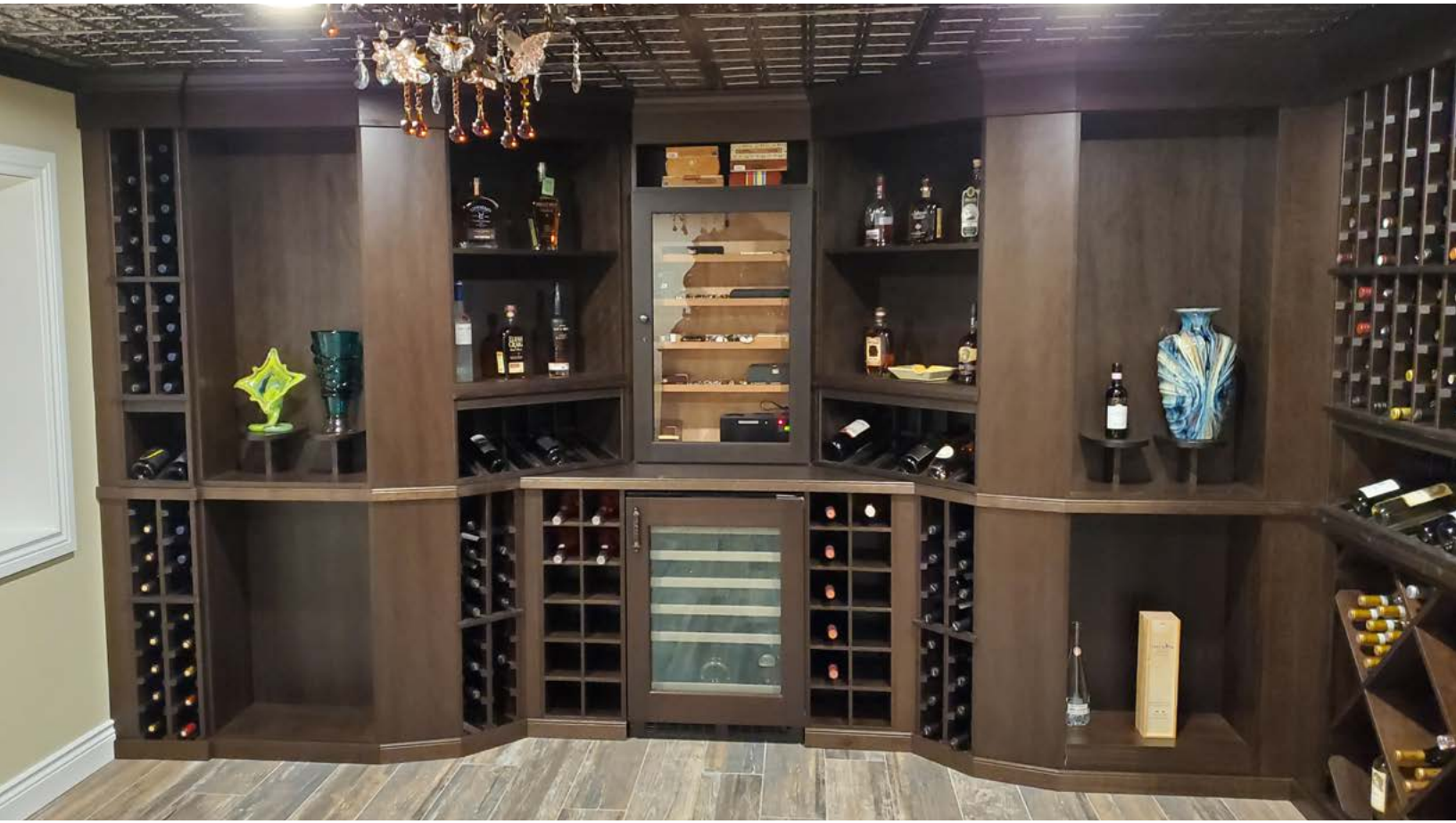
WALL HUMIDORS	Sentinel 250 (on-wall)	32"w x 36.875"h	35 lbs	250	Get Pricing
	Slim 250	14.625"w x 14.75"h x 4"d	55 lbs	250	
	Slim 300	14.625"w x 14.75"h x 6"d	60 lbs	350	
	Reliance 350	35.75"w x 46.625"h	40 lbs	350	
	Reliance 450	35.75"w x 46.625"h	45 lbs	450	
	Reliance 550	35.75"w x 66.625"h	50 lbs	550	
	Reliance 750	35.75"w x 66.625"h	55 lbs	750	

Reliance 350/450 rough opening 30.5"w x 42"h Reliance 550/750 rough opening 30.5"w x 62"h *Overall dimensions include exterior trim

DESKTOPS	HumiDoor75	14.625"w x 14.75"h x 6"d	11 lbs	75	Get Pricing
	HumiDrawer125	12.375"w x 6"h x 14.75"d	11 lbs	125	







The Vigilant Process

Want to customize our standard products, or have specific design wants and needs? Here's our simple process – from your design to delivery!"



DESIGN

Define your aesthetic and functional requirements & specifications.

We'll work with you to ensure we understand the project requirements, including: budget, capacity, installation challenges, architectural integrations, humidification system selection, and customization.



DRAWINGS & PRICING

Detailed design drawings, specifications, and pricing is presented.

Once the design estimate is accepted, a deposit is required to generate detailed drawings, specifications, and a proposal with pricing for approval. Larger, complex projects may require larger design deposits.



PROJECT APPROVAL

Project finalized and added to production schedule.

Once your project is approved, documents are signed, and a 50% deposit is received, your project is placed in our production schedule.



FABRICATION

Built-to-order based on your project documentation.

Our skilled production team gets to work on your project! Once in our production queue, you will receive an estimated lead time from our service team.



DELIVERY

Your order is carefully packaged and shipped with detailed installation instructions.

Once complete, your order is packaged, palletized, and shipped. If needed, we're happy to consult with you or your contractor to ensure successful installation.

Our clients love us...

”

I looked for years to find the right humidor. Seth and Lisa were such a help customizing the humidor. I am going to order another one because I have outgrown this one. Great quality and such a great company to work with.

Steven - Palm Desert, CA

”

My Reliance 200 Captains Chest from Christmas of 1998. I am the original owner and it has held my most trusted cigars. [It still is a] centerpiece in our home and gets many compliments.

Daniel - Oxnard, CA

”

My (beloved) Vigilant humidor. I think it's 20+ years old? Running great!

Bill - McLean, VA

”

Have had this humidor for many years. Has been awesome!!

JJ - Winchester, MA

”

Loving the humidor and it's working great. It makes the perfect addition to the whole bar area.

Chris - Pensacola, FL

”

Here is my pride 'n' joy!! My Vigilant ClimaTech 1600...fully stocked with over 700 choice premium cigars.

Anthony - Rochelle Park, NJ

”

I've gotten SO many compliments on this...it's been just about a year now since you guys built it!

Danny - Beverly Hills, CA

”

I own numerous humidors, but I have to admit when shift ends and I get home this is the first place I go to. I have had this humidor afor 5+ years and it has functioned impeccably. It is slap full of boxes and singles but never fails to perform. Thank you Vigilant for such an amazing product.

Mike - Fleming Island, FL

”

You guys did a great job!

Bob, Shelly's Back Room - Washington, DC

”

I really like my new humidor!

Steve - Martinez, GA

”

This is actually my second one for my own use, and I bought one for my brother in New Orleans last year. You guys have always been awesome, the first humidor I bought over 25 years ago, this most recent purchase was last summer.

Andre - Los Angeles, CA

”

Your company provided these 2 walls of mahogany wine storage, after some back and forth to incorporate artwork areas, humidor and bourbon shelves we settled on this final. We assembled and installed. It looks very nice.

Jeff - Kawkawlin, MI

”

I still need another cabinet for [my] ranch cigar bar. Great products!!!

Rene - San Antonio, TX

”

Have had this wonderful humidor since 2003. I love it!!! Great craftsmanship! **Gilbert - Upland, CA**

”

Just wanted to show you my new cigar bar using my Vigilant humidor. Will also forward my new wine cellar using all Vigilant materials.

Earl - Wellesley Hills, MA

Our Mission

We create a legacy of enduring quality, craftsmanship and design excellence in all our specialty wood furnishings. One hundred percent customer satisfaction and the enjoyment of our products are our ultimate goals and dictate every business decision that we make.



More Than Humidors...

With years of experience in carpentry and a passion for wood and its natural beauty, our design consultants are happy to consult on all aspects of your standard or custom humidor project, including how best to display your cigars. We also offer wine cabinetry, racking and accessories, and custom doors.

Showroom Visits and Tours

Our showroom features custom wine racking, cigar humidors and wine cabinetry. Call to schedule a visit today!

Vigilant Guarantee

Our products are handcrafted with the best materials to deliver complete customer satisfaction. As the industry leader, we offer a 100% satisfaction on all our products. If for any reason you are not satisfied, return your purchase in good condition within 30 days to receive a refund or replacement, your choice.



1-888-812-4427
info@vigilantinc.com

85 Industrial Park Drive
Dover NH 03820